



PRODEVA

CAN SORTER

MODEL

CM-18-10



- ▶ Rated capacity of 3,000 lbs. per hour.
- ▶ Easily separates aluminum cans from steel and other contaminants.
- ▶ Factory direct parts and service.

This medium volume can sorter allows you to easily sort aluminum cans from steel, bi-metal, or other ferrous materials. It allows you to sort aluminum cans before you buy them by simply dumping them into the 3/4 cu. yd. hopper. Its 5" casters make it mobile.



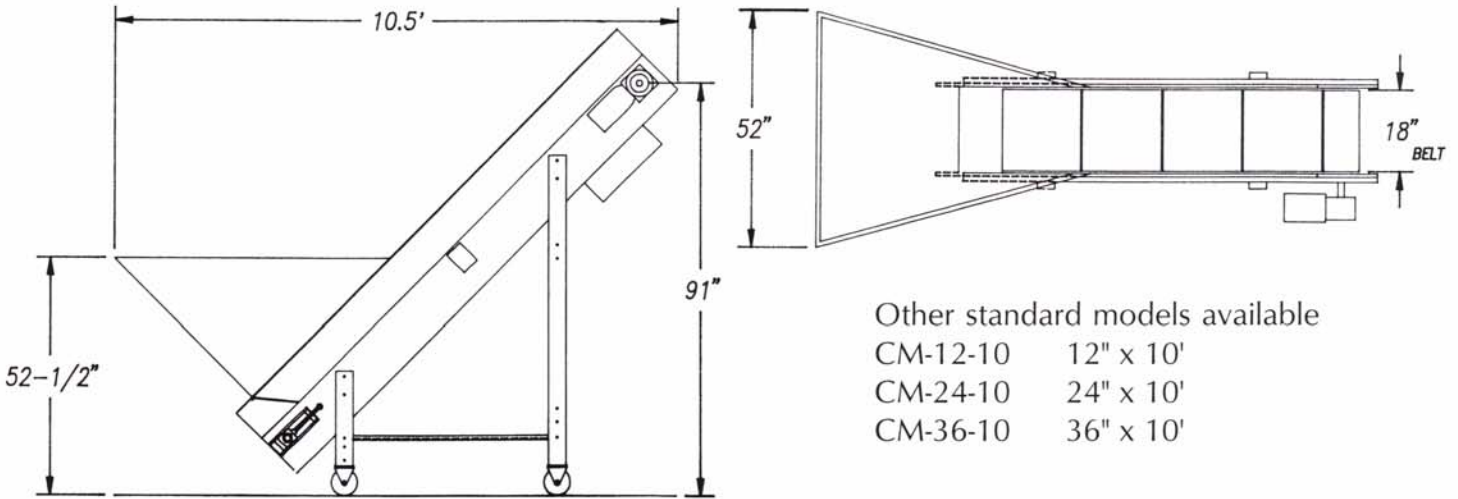
CM-18-10

SPECIFICATIONS

- ▶ Conveyor bed 18" wide by 10' long
- ▶ 8" permanent magnetic head pulley
- ▶ PVC 120 belting with 2" bonded cleats
- ▶ Dirt and moisture screen in hopper
- ▶ 1/2 HP motor
- ▶ Thermal-rated start/stop button
- ▶ Capacity of over 3,000 lbs. per hour
- ▶ 5" casters for mobility
- ▶ 6" self-cleaning tail pulley
- ▶ Direct drive speed reducer
- ▶ Discharge chute for ferrous cans
- ▶ 3/4 cu. yd. hopper
- ▶ Constructed of heavy gauge steel
- ▶ Widths available of 12", 24" and 36"



DIMENSIONAL INFORMATION



1 Year Written Warranty

All Prodeva brand equipment carries a warranty on workmanship and materials, provided equipment is used for its intended use and maintained properly.

We reserve the right to repair or replace parts at our option. Ask for further details. Prodeva, Inc., also reserves the right to improve or alter products without prior notice.

PRODEVA PROFILE

PRODEVA, Inc., with nearly 40 years experience in the size reduction field, offers a complete line of crusher and shredder models for processing bottles, cans (aluminum or steel), plastic and glass. Our equipment is used world-wide for recovery, recycling, scrap, and disposal facilities, both public and private. All are engineered and field-tested for profitable operations.

Should you have any questions or need additional information on the model CM-18-10 or any other Prodeva products, please give us a call. Prodeva offers a wide range of recycling equipment as well as conveyor systems.



Since 1958

PRODEVA, INC.

100 Jerry Drive, Jackson Center, Ohio 45334-0729
 Phones: 1-800-999-3271 or 937-596-6713 FAX: 937-596-5145
<http://www.prodeva.com> E-mail: sbunke@prodeva.com